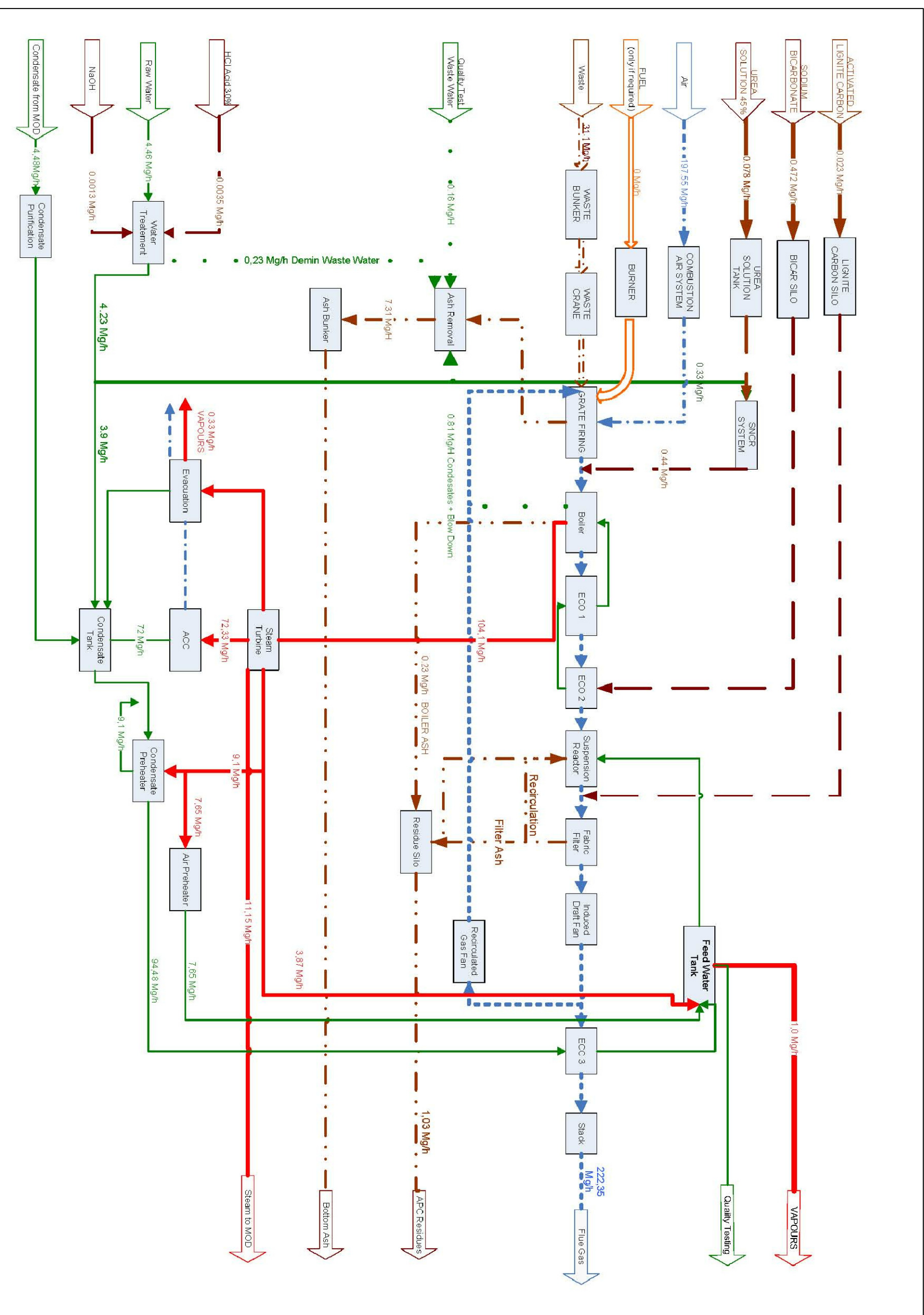


THIS DRAWING MAY BE USED ONLY FOR THE PURPOSE INTENDED AND ONLY WRITTEN DIMENSIONS SHALL BE USED

NOTES

- Chemicals
- Waste
- Residues
- Fuel
- Steam
- Demin / Condensate Water
- Raw Water
- Process Waste Water
- Flue Gas
- Air



MVV Environment Development Ltd

Project Developer

MVV O&M

Main Contractor

SC

Architect

Scott Wilson

Environmental & Planning Consultant

KIER

Civil Works

Lab

Air Pollution Control

JRR

Electrical & Control

Standardkessel

Boiler & Grate

Intech

Water Steam System

wandschneider + gutjahr ingenieurgesellschaft mbh

General Designer

Scale at A3

Drawn: NTS

Approved: AG/JW

Stage 1 check: AG

Stage 2 check: MVV

Drawing Number: D123356/EP/005

Date: JUNE 11

Rev: A

Job Title

EFW CHP FACILITY

NORTH YARD,

DEVONPORT

Drawing Title

MASS BALANCE

CHANGE TITLE

NL	AG	FEB 11	A
----	----	--------	---

Revision Details

By	Date	Check	Suffix
AG			

Drawing Status

ENVIRONMENTAL PERMIT