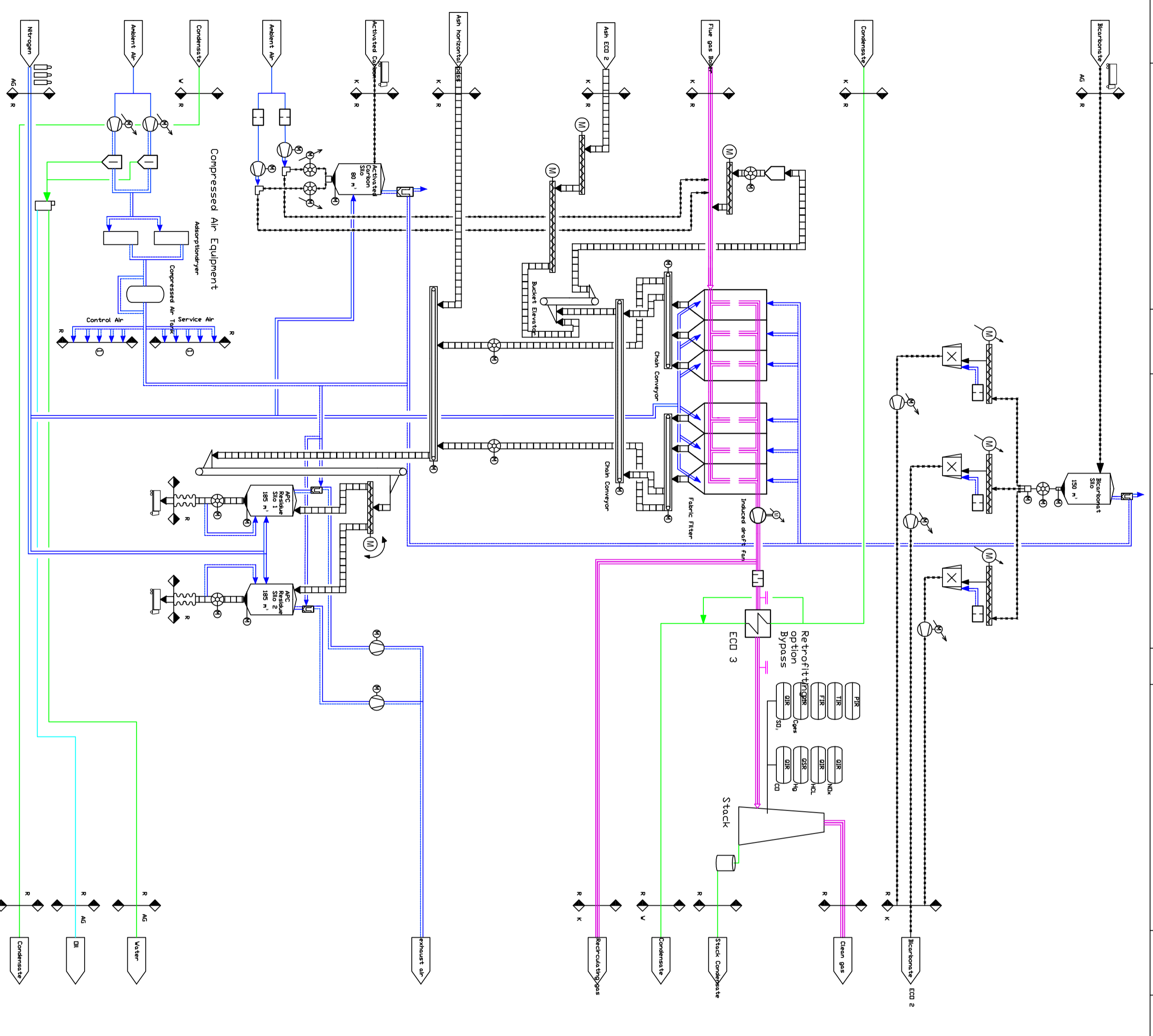


THIS DRAWING MAY BE USED ONLY FOR THE PURPOSE INTENDED AND ONLY WRITTEN DIMENSIONS SHALL BE USED

- NOTES**
- Air
 - Compressed Air
 - Nitrogen
 - DI
 - Na-tri-halocarbonate
 - Water, Condensate
 - Gas
 - Ash



Revision Details	By	Date	Check	Suffix

Drawing Status
ENVIRONMENTAL PERMIT

Job Title
**EFW CHP FACILITY
NORTH YARD,
DEVONPORT**

Drawing Title
**PROCESS FLOW
DIAGRAM -
AIR POLLUTION
CONTROL**

Scale at A2

NTS	
Drawn	Approved
NL	AG/JW
Stage 1 check	Stage 2 check
AG	Originated
	Date
	JUNE 11
Drawing Number	Rev
D1233556/EP/007	

Project Developer	Main Contractor	Architect	Environmental & Planning Consultant	Civil Works	Air Pollution Control	Electrical & Control	Boiler & Grate	Water Steam System	General Designer