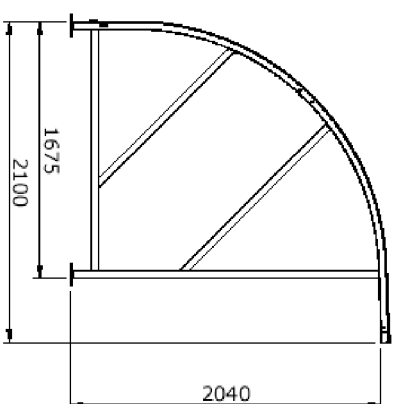
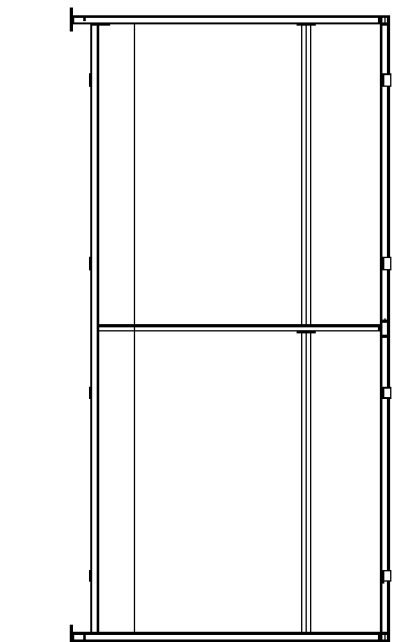
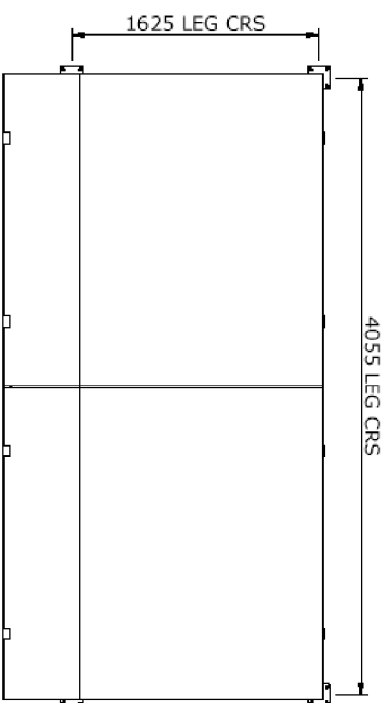


THIS DRAWING MAY BE USED ONLY FOR THE PURPOSE INTENDED AND ONLY WRITTEN DIMENSIONS SHALL BE USED

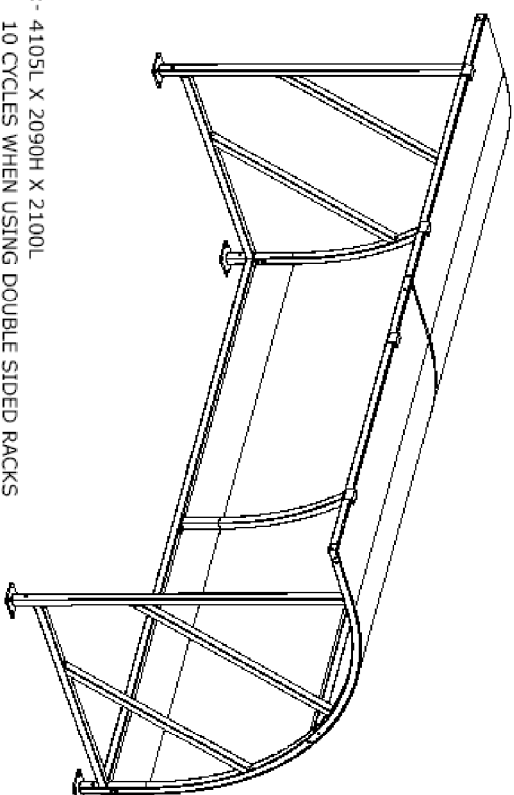
**NOTES**



- AS STANDARD**
- HEAVY DUTY STEEL FRAME
  - ADJUSTABLE FEET
  - 4mm UV PETG CLADDING
  - GALVANISED TO BS EN ISO 1461
- OPTIONS**
- POWDER COATED TO A CHOICE OF COLOURS
  - 4mm END UV PETG PANELS



DIMENSIONS:- 4105L X 2090H X 2100L  
CAPACITY :- 10 CYCLES WHEN USING DOUBLE SIDED RACKS



**EFW CHP FACILITY  
NORTH YARD  
DEVONPORT**

Drawing Title

**Proposed  
Cycle Shed**

Revision Details	By	Date	Suffix
	Check		

Drawing Status

Job Title

Scale at A3	1:50		
Drawn	Approved		
PKK		Originated	Date
Stage 1 check	Stage 2 check	03.05.11	Rev

Drawing Number	PA13
----------------	------



Contractor to SWDWP  
Environmental & Planning Consultant  
EPC Contractor  
Plant Engineering GmbH General Designer  
Civil Works  
Architect  
Air Pollution Control  
Boiler & Grate  
Electrical & Control  
Water Steam System