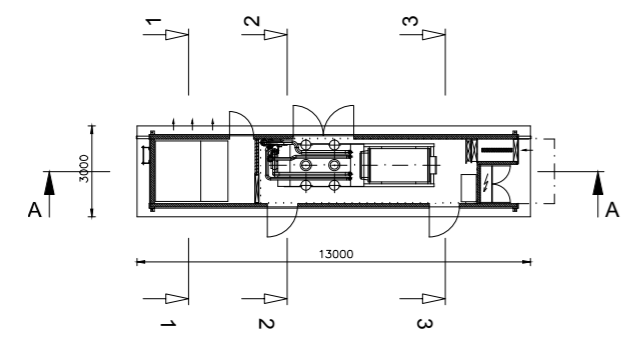


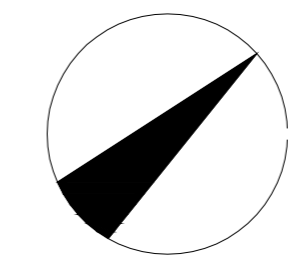
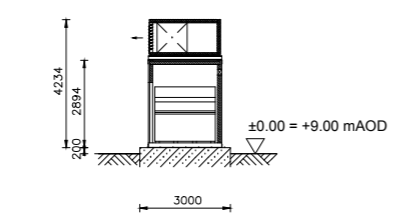
THIS DRAWING MAY BE USED ONLY FOR THE PURPOSE INTENDED AND ONLY WRITTEN DIMENSIONS SHALL BE USED

NOTES

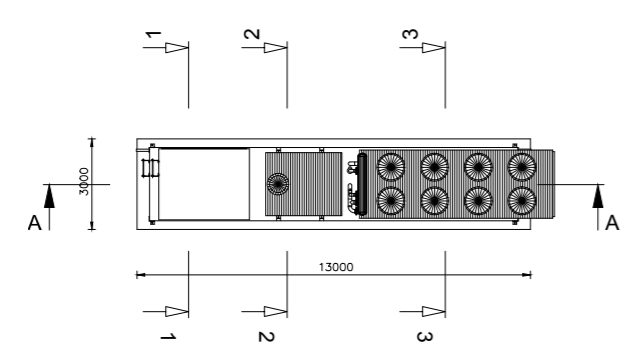
LAYOUT



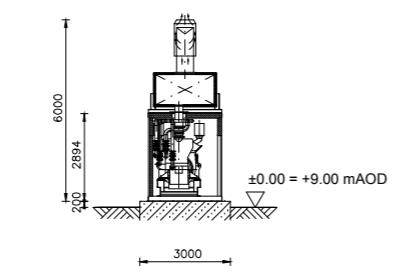
CROSS SECTION 1-1



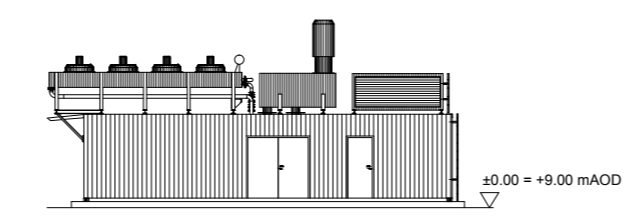
PLAN VIEW



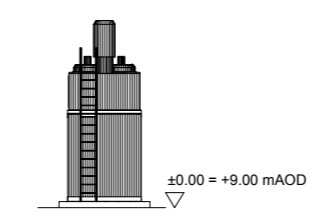
CROSS SECTION 2-2



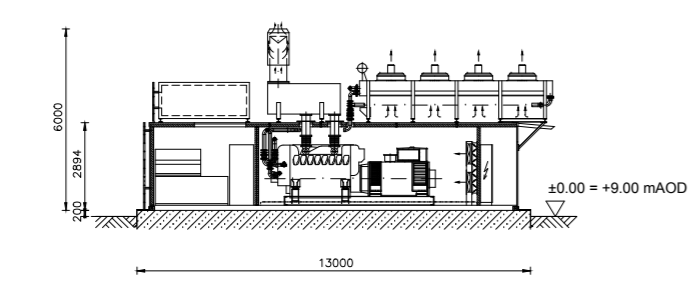
ELEVATION NORTHWEST



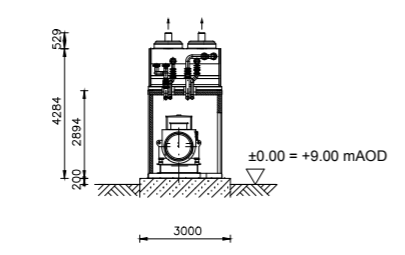
ELEVATION SOUTHWEST



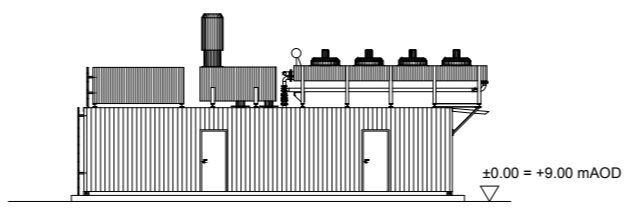
LONGITUDINAL SECTION



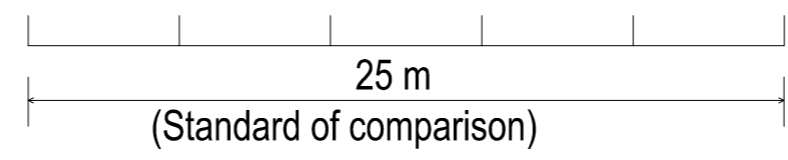
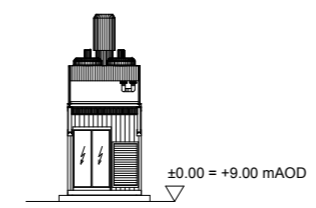
CROSS SECTION 3-3



ELEVATION SOUTHEAST



ELEVATION NORTHEAST



FIRST ISSUE			
Revision Details	By	Date	Suffix
	Check		

Drawing Status  
**PLANNING**

Job Title  
**EfW CHP FACILITY  
NORTH YARD DEVONPORT**

Drawing Title  
**EMERGENCY GENERATOR  
ELEVATION AND SECTION**

Scale at A2 1:250			
Drawn Gräbe	Approved Gasse	Originated	Date 06.05.2011
Stage 1 check	Stage 2 check		

Drawing Number <b>PA15</b>	Rev <b>0</b>
-------------------------------	-----------------

Plot Date :  
AutoCAD File Name :

Contractor to SWDWP  
 Environmental & Planning Consultant  
 EPC Contractor  
 Envi Con & Plant Engineering GmbH General Designer  
 Civil Works  
 Architect  
 Air Pollution Control  
 Boiler & Grate  
 Electrical & Control  
 Water Steam System

DB2V