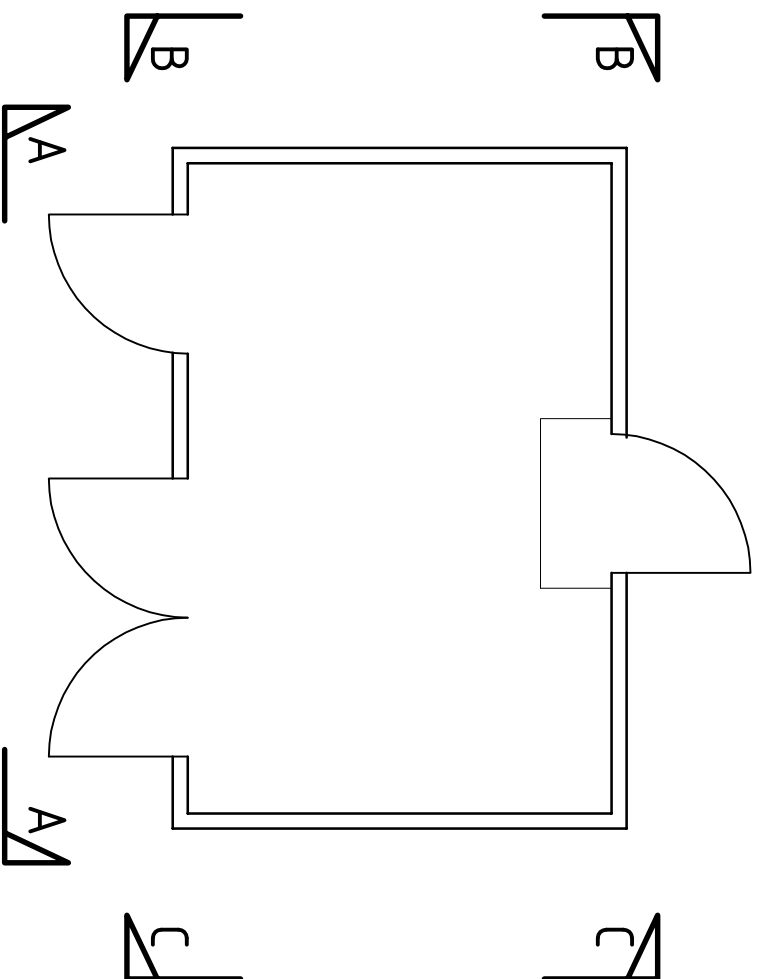
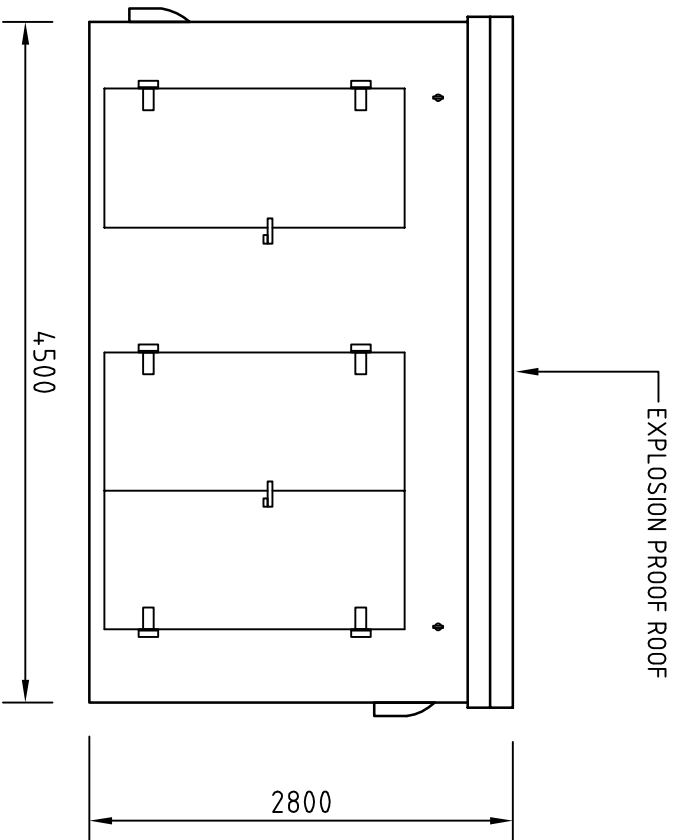


THIS DRAWING MAY BE USED ONLY FOR THE PURPOSE INTENDED AND ONLY WRITTEN DIMENSIONS SHALL BE USED

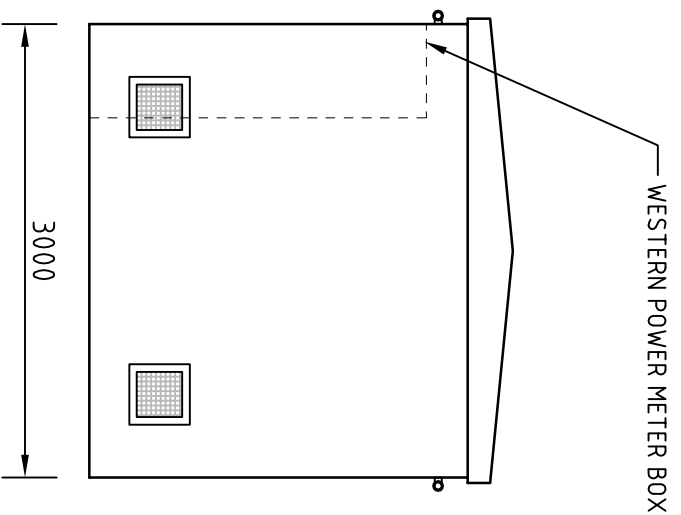
NOTES



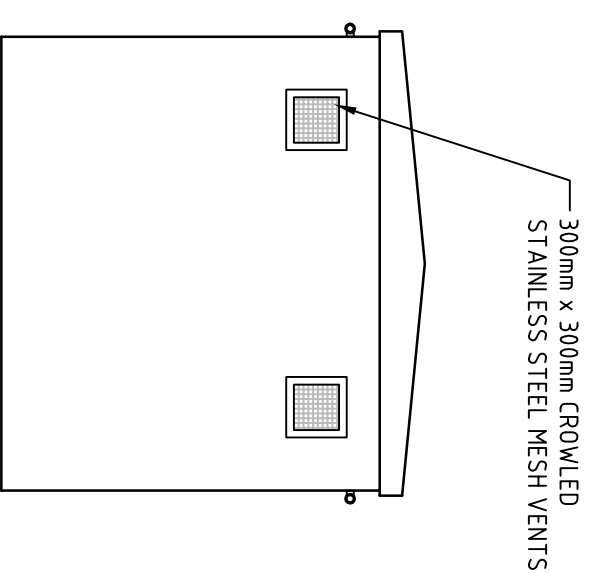
PLAN



ELEVATION A-A



ELEVATION B-B



ELEVATION C-C

Revision Details	By	Date	Suffix

Drawing Status

Job Title

PLANNING
EFW CHP FACILITY
NORTH YARD
DEVONPORT

Drawing Title

NORTH
INTAKE SUBSTATION
DETAILS

Scale at A3
 1:50

Drawn	Approved
OK	

Stage 1 check	Stage 2 check	Originated	Date

Drawing Number	Rev
PA16	

MVV · Environment
 Contractor to SWDWP

Scott Wilson
 Environmental & Planning Consultant

MVV · O&M
 EPC Contractor

Envi Con
 Envi Con & Plant Engineering GmbH
 General Designer

KIER
 Civil Works

SC
 Architect

Ldp
 Air Pollution Control

Standardkessel
 Boiler & Grate

JSR
 Electrical & Control

Intech
 Water Steam System